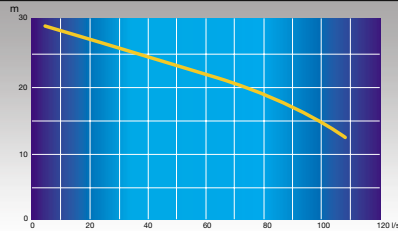
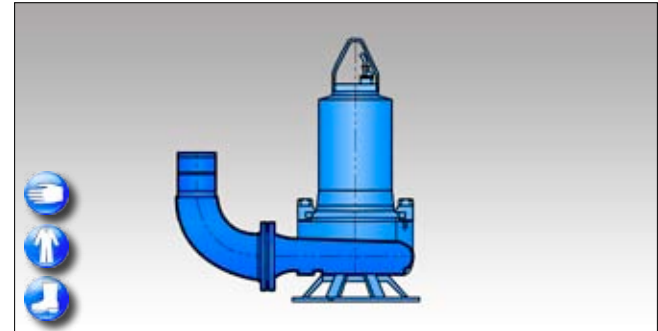


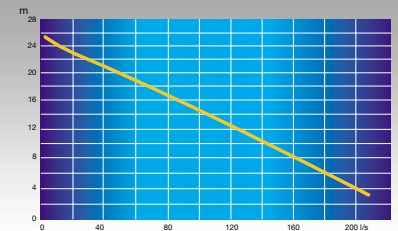
## Pump Performance



<b>Model</b>	KE 152
<b>Motor Type</b>	415 V (3-Phase)
<b>Motor Rating P<sup>2</sup></b>	22.0 kW
<b>Max power input P<sup>1</sup></b>	25.0 kW
<b>Running Current</b>	44 Amps
<b>Dimensions (H x W)</b>	1365 x 1125 mm
<b>Discharge Spigots</b>	6" Bauer (150 mm)
<b>Running Speed</b>	1450 rpm
<b>Maximum Solids</b>	90 x 70 mm
<b>Weight (excl cable)</b>	485 kg
<b>Generator</b>	60 kva



## Pump Performance



<b>Model</b>	KE 203
<b>Motor Type</b>	415 V (3-Phase)
<b>Motor Rating P<sup>2</sup></b>	22.0 kW
<b>Max power input P<sup>1</sup></b>	25.0 kW
<b>Running Current</b>	44 Amps
<b>Dimensions (H x W)</b>	1380 x 1255 mm
<b>Discharge Spigots</b>	8" Bauer (200 mm)
<b>Running Speed</b>	1460 rpm
<b>Maximum Solids</b>	90 x 70 mm
<b>Weight (excl cable)</b>	500 kg
<b>Generator</b>	60 kva